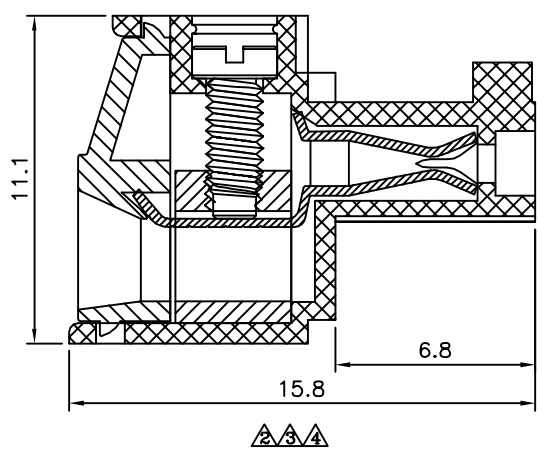
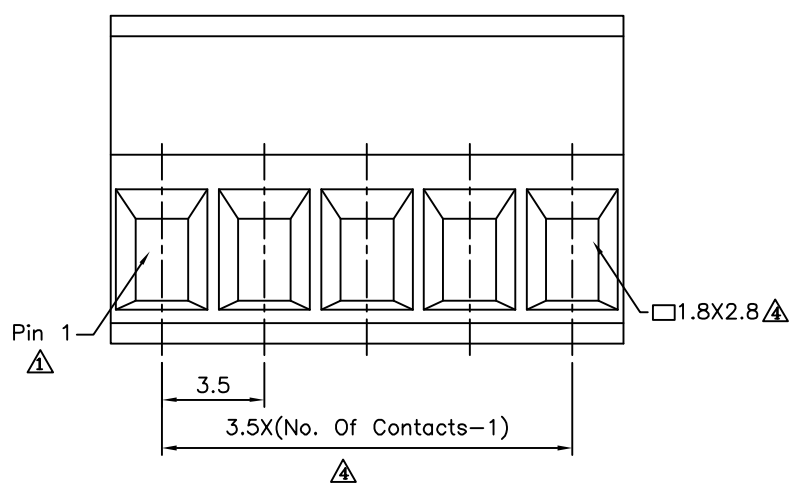


2P To 6P With Wedge,Above
7P Without Wedge(Including 7P)

△ SPECIFICATION
 Voltage Rating:300V AC
 Current Rating:12 Amps/Way Max.
 Contact Resistance:20 Milliohms Max.
 Withstanding Voltage:2500V AC(1 Minute) Test
 Time=60 Sec/1 PCS
 Wire Range:16~24 AWG
 Torque:2.5 Kgf.cm/M2
 Operation Temperature:-40°C~+105°C
 Soldering Reliability:
 Test Temperature=250°C±10°C/5 Seconds Max.
△ Contact(Metal Housing):Copper Alloy,Nickel Plated
Terminal Screw:Steel,Galvanized With Cr3+ Plated
Wire Guard:Copper Alloy,Tin Plated
△ Insulator Body(Housing):Polyamide(UL94V-0),Green
RoHS Compliant



4UCON

元化興業股份有限公司
4UCON TECHNOLOGY INC.

DRAWING No.		APPROVED BY		UNLESS OTHERWISE SPECIFIED TOLERANCES ARE X. ±0.50 .X ±0.30 .XX ±0.20 ANG. ±1°
19842		EMILY		
		HZF		
		DRAWING BY		UNIT mm
		CYP		
SCALE	NONE	REV.	A4	

△ A4	Modify Data	HZF	10/24/2014
△ A3	Modify Data	HZF	08/28/2012
△ A2	Modify Data	HZF	05/17/2012
△ A1	Modify Data	HZF	11/22/2011
△ A0	NEW RELEASE	HZF	04/09/2009
NO. REV.	REVISIONS	CHK	DATE