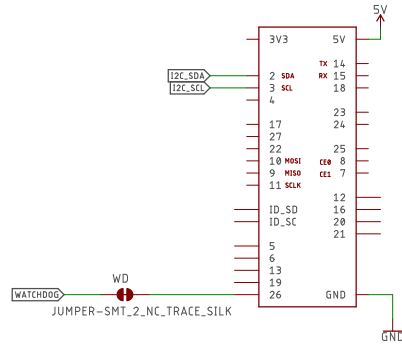
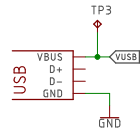
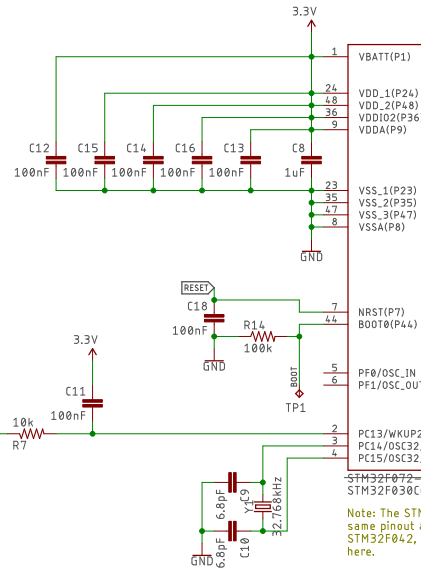
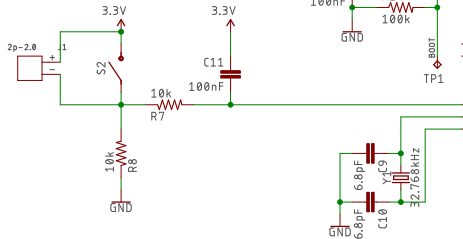
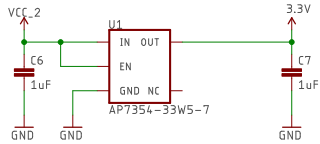


Author: Alain Pannetrat (omzlo.com)
 Licensed under Creative Commons Attribution-ShareAlike
<https://creativecommons.org/licenses/by-sa/4.0/legalcode>



WATCHDOG WD
 JUMPER-SMT_2_NC_TRACE_SILK



Note: The STM32F030C6 has the almost the same pinout as the STM32F072 or the STM32F042, so the designs are compatible here.

